

TOP100 Complete Kit

Series

TOP100

Cut Sheet

TOP 100 Series

4" Wide HYDROTEC TOP 100 Fiber Reinforced Concrete Trench Drain Kit



Upgrade to C Class ADA

New Fiber Reinforced Concrete Trench Drain Complete Kit 4 Inch Wide - C Class Galvanized Slotted ADA Grate Standard.

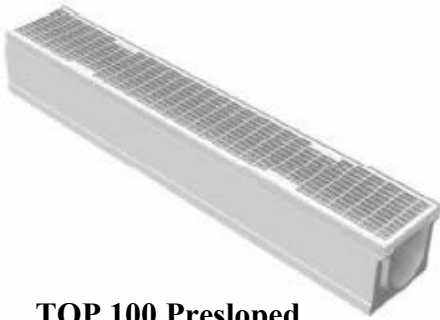
Complete system - Each Kit Includes:

- Specified Number of 1 Meter Sections TOP 100 Channels.
- Specified Number of C Class Galvanized ADA Slotted Grates Standard.
- 2 End Caps - 1 Solid End Cap - 1 Outlet End Cap.
- Integrated Galvanized Edge.

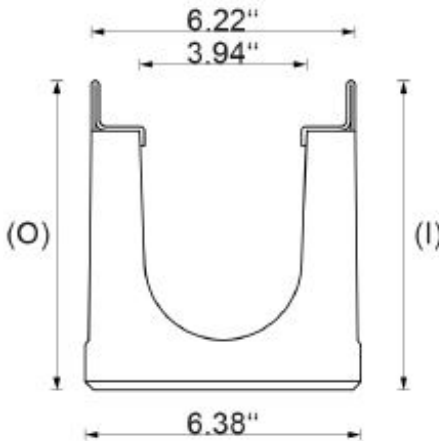
Features of TOP 100:

- TOP 100 System for Pedestrian Areas, Parking Lots and General Commercial Areas.
- Screwless, patented locking system that reduces time of installation.
- Fiber-reinforced concrete C35 / 45 channel.
- Precast outlet for a vertical connection to 4" and 6" pipes.
- Galvanized Steel Edge Rails and Galvanized Steel Grates.

Number TOP 100 Channel	Series TOP100 Trench Drain Channel TOP 100
---	---



TOP 100 Presloped



male end (O)



female end (I)

Slope / Section	Inlet (I) (inch)	Outlet (O) (inch)	Length (inch)	Item No.	Weight (lbs)	Pcs. / Pal.	
Basic section	4.33	4.33	39.37	0631010000110	81.73	36	
SLOPED	1	4.33	4.53	39.37	063101022110	81.73	36
	2	4.53	4.72	39.37	063101022115	83.49	36
	3	4.72	4.92	39.37	063101022120	85.26	36
	4	4.92	5.12	39.37	063101022125	87.02	36
	5	5.12	5.31	39.37	063101022130	88.78	36
	6	5.31	5.51	39.37	063101022135	70.55	36
	7	5.51	5.71	39.37	063101022140	72.31	36
	8	5.71	5.91	39.37	063101022145	74.07	36
	9	5.91	6.10	39.37	063101022150	75.84	36
	10	6.10	6.30	39.37	063101022155	77.60	36
NEUTRAL	Basic section	6.30	6.30	39.37	063101000	86.14	24
	Basic section	6.30	6.30	19.69	063101005	34.17	48
	Vertical Outlet	6.30	6.30	39.37	063101007	83.93	24
	Side opening	6.30	6.30	19.69	063101006	31.97	48
SLOPED	Catch Basin	6.30	6.30	19.69	063101008	94.80	10
	11	6.30	6.50	39.37	063101022160	79.37	30
	12	6.50	6.69	39.37	063101022165	81.13	30
	13	6.69	6.89	39.37	063101022170	82.89	30
	14	6.89	7.09	39.37	063101022175	84.66	30
NEUTRAL	15	7.09	7.28	39.37	063101022180	86.42	30
	Basic section	7.28	7.28	39.37	063101050	76.26	24
	Basic section	7.28	7.28	19.69	063101055	39.68	48
	Vertical Outlet	7.28	7.28	39.37	063101057	76.06	24
	Side opening	7.28	7.28	19.69	063101056	37.48	48
SLOPED	Catch Basin	7.28	7.28	19.69	063101008	94.80	10
	16	7.28	7.48	39.37	063101022185	88.18	30
	17	7.48	7.68	39.37	063101022190	89.95	30
	18	7.68	7.87	39.37	063101022195	91.71	30
	19	7.87	8.07	39.37	063101022200	93.48	30
20	8.07	8.27	39.37	063101022205	95.24	30	

Slope / Section	Inlet (I) (inch)	Outlet (O) (inch)	Length (inch)	Item No.	Weight (lbs)	Pcs. / Pal.	
Basic section	8.27	8.27	39.37	063101100	91.49	24	
NEUTRAL	Basic section	8.27	8.27	19.69	063101105	46.30	48
	Vertical Outlet	8.27	8.27	39.37	063101107	89.29	24
	Side opening	8.27	8.27	19.69	063101106	44.09	48
	Catch Basin	8.27	8.27	19.69	063101008	94.80	10
	21	8.27	8.46	39.37	063101022210	97.00	24
SLOPED	22	8.46	8.66	39.37	063101022215	98.77	24
	23	8.66	8.86	39.37	063101022220	100.53	24
	24	8.86	9.06	39.37	063101022225	102.29	24
	25	9.06	9.25	39.37	063101022230	104.06	24
	Basic section	9.25	9.25	39.37	063101150	105.82	24
NEUTRAL	Basic section	9.25	9.25	19.69	063101155	54.01	48
	Vertical Outlet	9.25	9.25	39.37	063101157	103.62	24
	Side opening	9.25	9.25	19.69	063101156	51.81	48
	Catch Basin	9.25	9.25	19.69	063101008	94.80	10
SLOPED	26	9.25	9.45	39.37	063101022235	105.82	24
	27	9.45	9.65	39.37	063101022240	107.58	24
	28	9.65	9.84	39.37	063101022245	109.35	24
	29	9.84	10.04	39.37	063101022250	111.11	24
	30	10.04	10.24	39.37	063101022255	112.88	24
	Basic section	10.24	10.24	39.37	063101200	117.95	24
NEUTRAL	Basic section	10.24	10.24	19.69	063101205	59.52	48
	Vertical Outlet	10.24	10.24	39.37	063101207	115.74	24
	Side opening	10.24	10.24	19.69	063101206	57.32	48
	Catch Basin	10.24	10.24	19.69	063101008	94.80	10

Manufacturer



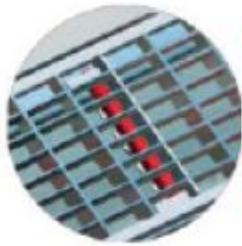
Specification

HYDROTEC TOP 100 SERIES FIBER REINFORCED CONCRETE WITH A GALVANIZED STEEL EDGE 4" WIDTH DRAINAGE CHANNEL. WITH SLOPE , SUPPLIED BY TRENCH DRAIN SUPPLY.

DISCLAIMER - The customer and the customer's architects, engineers, consultants, and other professionals are completely responsible for the selection installation and maintenance of any product purchased from Trench Drain Supply and/or its manufacturers. TRENCH DRAIN SUPPLY MAKES NO WARRANTY, EXPRESS OR IMPLIED, AS TO THE SUITABILITY, DESIGN, MERCHANTABILITY, OR FITNESS OF THE PRODUCT FOR CUSTOMERS APPLICATION. The drawing and information provided remain the property and copyright of the manufacturer listed. The manufacturer reserves the right to modify specification without notice.

<p>Number TOP 100 Series Overview</p>	<p>Series TOP 100 Trench Drain Overview TOP 100</p>
---	---

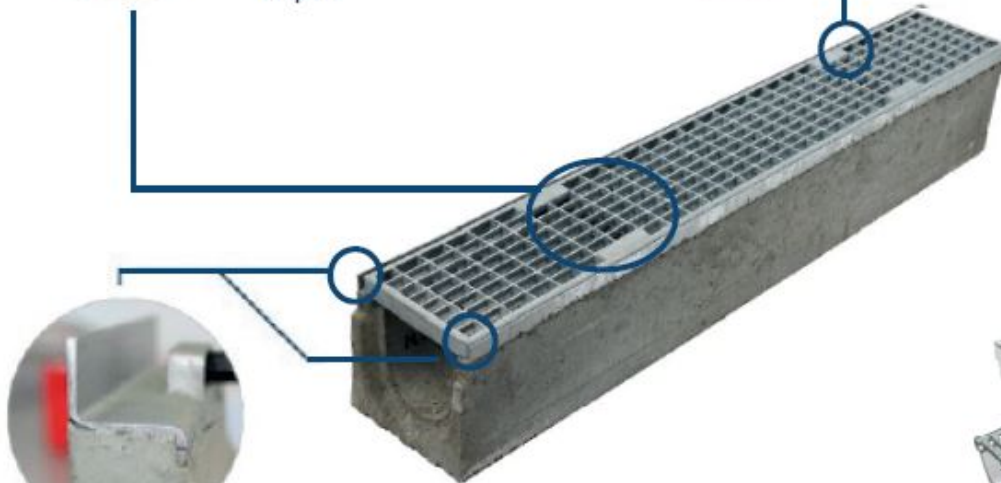
The TOP trench drain line is a modular system for pedestrian areas, parking lots, general commercial areas and sport fields. These 4" wide trench drains are available in 39.37" (1000mm) and 19.69" (500mm) long, flat or pre-sloped and they are easily joined together by connecting male and female profiles.



- Screwless, patented locking system that reduces installation time
- Reduces time of installation
- Available flat and pre-sloped



- Galvanized Steel Slotted ADA
- Galvanized Steel Mesh
- Ductile Iron
- Load Class A & C



- Fiber-reinforced concrete C35 / 45 channel
- Galvanized Steel frame
- Precast outlet at the base of the chan-



Fig.: Element as 4-way

Manufacturer



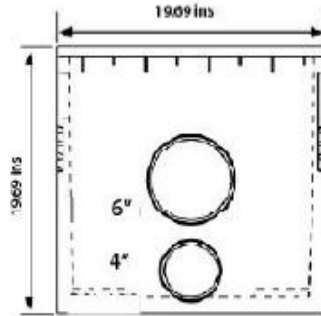
Specification

HYDROTEC TOP 100 SERIES FIBER REINFORCED CONCRETE WITH A GALVANIZED STEEL EDGE 4" WIDTH DRAINAGE CHANNEL. WITH SLOPE , SUPPLIED BY TRENCH DRAIN SUPPLY.

DISCLAIMER - The customer and the customer's architects, engineers, consultants, and other professionals are completely responsible for the selection installation and maintenance of any product purchased from Trench Drain Supply and/or its manufacturers. TRENCH DRAIN SUPPLY MAKES NO WARRANTY, EXPRESS OR IMPLIED, AS TO THE SUITABILITY, DESIGN, MERCHANTABILITY, OR FITNESS OF THE PRODUCT FOR CUSTOMERS APPLICATION. The drawing and information provided remain the property and copyright of the manufacturer listed. The manufacturer reserves the right to modify specification without notice.

<p>Number TOP 100 Accessories</p>	<p>Series TOP100 Trench Drain Series TOP 100</p>
---	--

Catch Basin and End Caps for All TOP100



Catch Basin
incl. galvanized dirt
catcher



Closed End Piece
Part.No.:
CHG70011-10



Open End Piece with 4"
Pipe Connection
Part.No.: CHG70011-20

Manufacturer



Specification

HYDROTEC TOP 100 SERIES FIBER REINFORCED CONCRETE WITH A DUCTILE IRON EDGE 4" WIDTH DRAINAGE CHANNEL. WITH SLOPE , SUPPLIED BY TRENCH DRAIN SUPPLY.

DISCLAIMER - The customer and the customer's architects, engineers, consultants, and other professionals are completely responsible for the selection installation and maintenance of any product purchased from Trench Drain Supply and/or its manufacturers. TRENCH DRAIN SUPPLY MAKES NO WARRANTY, EXPRESS OR IMPLIED, AS TO THE SUITABILITY, DESIGN, MERCHANTABILITY, OR FITNESS OF THE PRODUCT FOR CUSTOMERS APPLICATION. The drawing and information provided remain the property and copyright of the manufacturer listed. The manufacturer reserves the right to modify specification without notice.

Number TOP 100 C Class Slotted	Series TOP100 Trench Drain Channel TOP 100
---	---

Product Specifications

Part. No.:
0334301

Load Class:
C250 (55000 lbs) according EN 1433
Certified by MPA-HB (independent laboratories)

Material:
galv. Steel ST-37

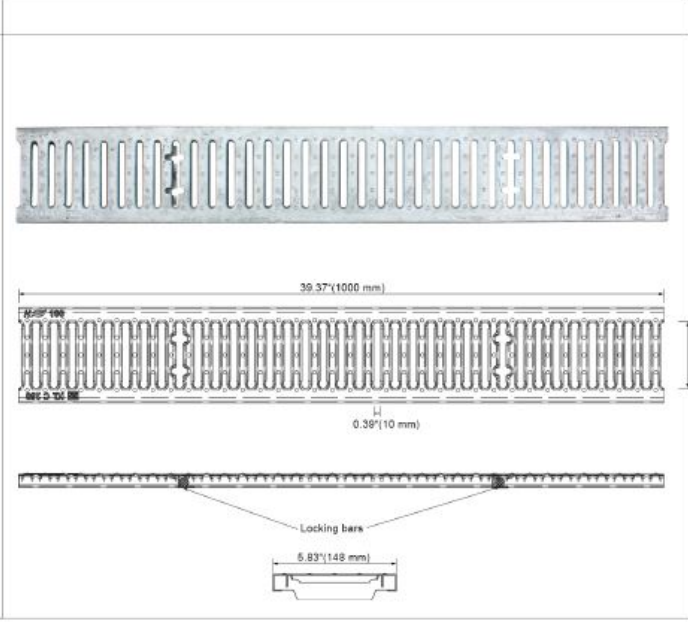
Weight:
9,70 lbs (4,4kg)

Surface:
Slot design (0.39" x 3.93")
Slots according ADA Standards

Locking:
Patented boltless
grate locking system

Water intake:
55.65 sq. in.(359 cm²)

Use:
This grate is developed for use with HYDROTEC
TOP 100 channels made of fiber reinforced concrete
with a galvanized steel edge protection.



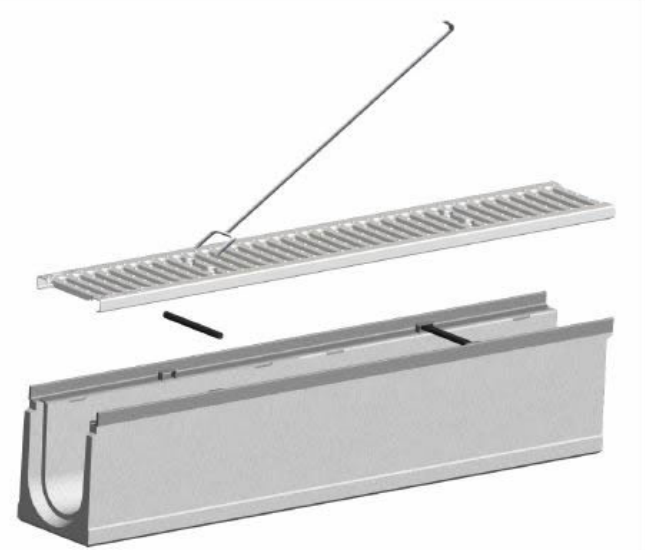
System Specifications

Grate Locking Tool (Part. No.:7009900) :
The Grate Locking Tool is made of galvanized steel.
It's used to lock and unlock the grate.

TOP 100 galv. slotted Grate (Part. No.:0334301):
The grate is made of galvanized steel and certified
to EN 1433 Load Class C250.

Locking Bar (Part. No.:0301401):
Two locking bars fix the grate to the channel body.
They're unlocked by the Grate Locking Tool.

TOP 100 Channel (Part. No.:063101):
The channel body is made of fiber reinforced concrete
with a galvanized steel edge protection.
Connecting profiles at the end of the channel
guarantee an easy and fast installation.



Manufacturer



Specification

HYDROTEC TOP 100 SERIES FIBER REINFORCED CONCRETE WITH A GALVANIZED STEEL EDGE 4" WIDTH DRAINAGE CHANNEL. WITH SLOPE , SUPPLIED BY TRENCH DRAIN SUPPLY.

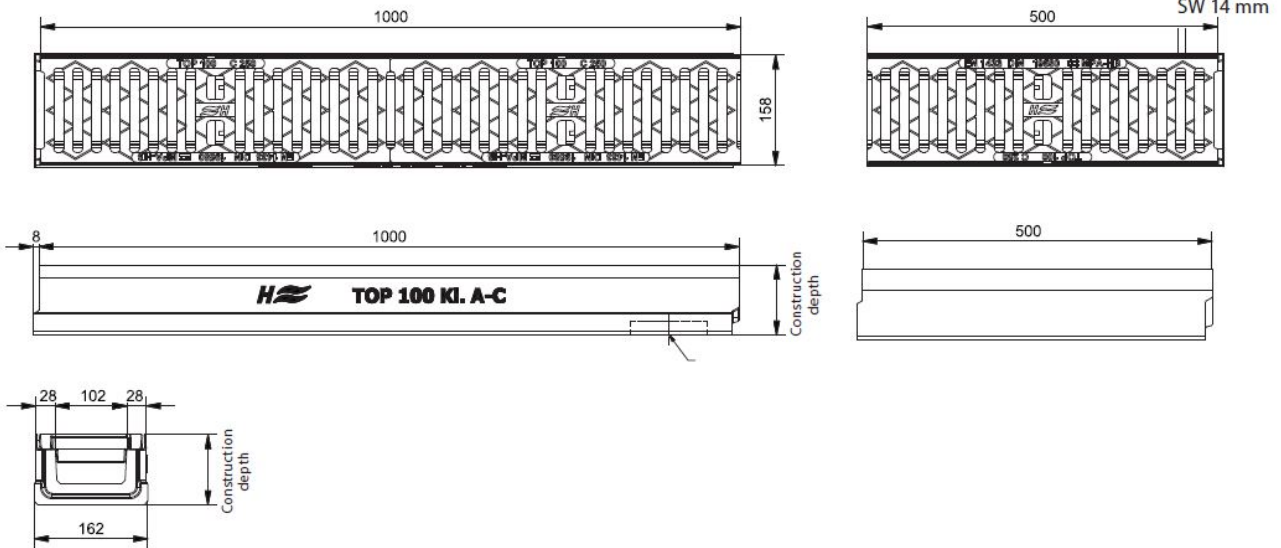
DISCLAIMER - The customer and the customer's architects, engineers, consultants, and other professionals are completely responsible for the selection installation and maintenance of any product purchased from Trench Drain Supply and/or its manufacturers. TRENCH DRAIN SUPPLY MAKES NO WARRANTY, EXPRESS OR IMPLIED, AS TO THE SUITABILITY, DESIGN, MERCHANTABILITY, OR FITNESS OF THE PRODUCT FOR CUSTOMERS APPLICATION. The drawing and information provided remain the property and copyright of the manufacturer listed. The manufacturer reserves the right to modify specification without notice.

<p>Number TOP 100 C Class Ductile Iron</p>	<p>Series TOP100 Trench Drain Grate TOP 100</p>
--	---

TOP 100 - C250

* with vertical outlet DN 100

Water way 564 cm²/m, drainage channel with 2 ductile iron gratings



TOP 3.94" [100] throat **Ductile Iron Grate** is rated **class C** per the DIN EN1433 top load classifications. Ductile Iron conforms to ASTM specification A536-84, Grade 80-55-06. Supplied in 39.37" [1000] or 19.69" [500] nominal lengths with 4.72/0.55 [120/14] wide slots. Grate has an open area of 26.64 sq. in per ft. [56,395 sq.mm per meter].

Manufacturer



Specification

HYDROTEC TOP 100 SERIES FIBER REINFORCED CONCRETE WITH A GALVANIZED STEEL EDGE 4" WIDTH DRAINAGE CHANNEL. WITH SLOPE , SUPPLIED BY TRENCH DRAIN SUPPLY.

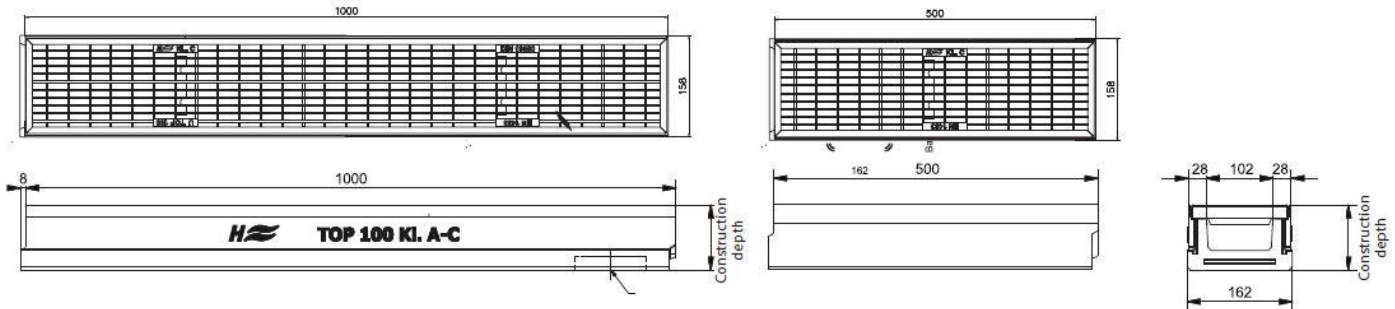
DISCLAIMER - The customer and the customer's architects, engineers, consultants, and other professionals are completely responsible for the selection installation and maintenance of any product purchased from Trench Drain Supply and/or its manufacturers. TRENCH DRAIN SUPPLY MAKES NO WARRANTY, EXPRESS OR IMPLIED, AS TO THE SUITABILITY, DESIGN, MERCHANTABILITY, OR FITNESS OF THE PRODUCT FOR CUSTOMERS APPLICATION. The drawing and information provided remain the property and copyright of the manufacturer listed. The manufacturer reserves the right to modify specification without notice.

<p>Number TOP 100 C Class Mesh</p>	<p>Series TOP100 Trench Drain Grate TOP 100</p>
--	---

TOP 100 - C250

* with vertical outlet DN 100

Waterway 900 cm²/m - mesh 30/10 grating



TOP 3.94" [100] wide throat **Galvanized Steel Mesh Grate** is rated class C per the DIN EN1433 top load classifications. Supplied in 39.37" [1000] or 19.69" [500] nominal lengths with 1.21/0.57 [30.8/14.5] wide slots. Grate has an open area of 47.71 sq. in per ft. [101,000 sq.mm per meter].

Manufacturer



Specification

HYDROTEC TOP 100 SERIES FIBER REINFORCED CONCRETE WITH A GALVANIZED STEEL EDGE 4" WIDTH DRAINAGE CHANNEL. WITH SLOPE , SUPPLIED BY TRENCH DRAIN SUPPLY.

DISCLAIMER - The customer and the customer's architects, engineers, consultants, and other professionals are completely responsible for the selection installation and maintenance of any product purchased from Trench Drain Supply and/or its manufacturers. TRENCH DRAIN SUPPLY MAKES NO WARRANTY, EXPRESS OR IMPLIED, AS TO THE SUITABILITY, DESIGN, MERCHANTABILITY, OR FITNESS OF THE PRODUCT FOR CUSTOMERS APPLICATION. The drawing and information provided remain the property and copyright of the manufacturer listed. The manufacturer reserves the right to modify specification without notice.